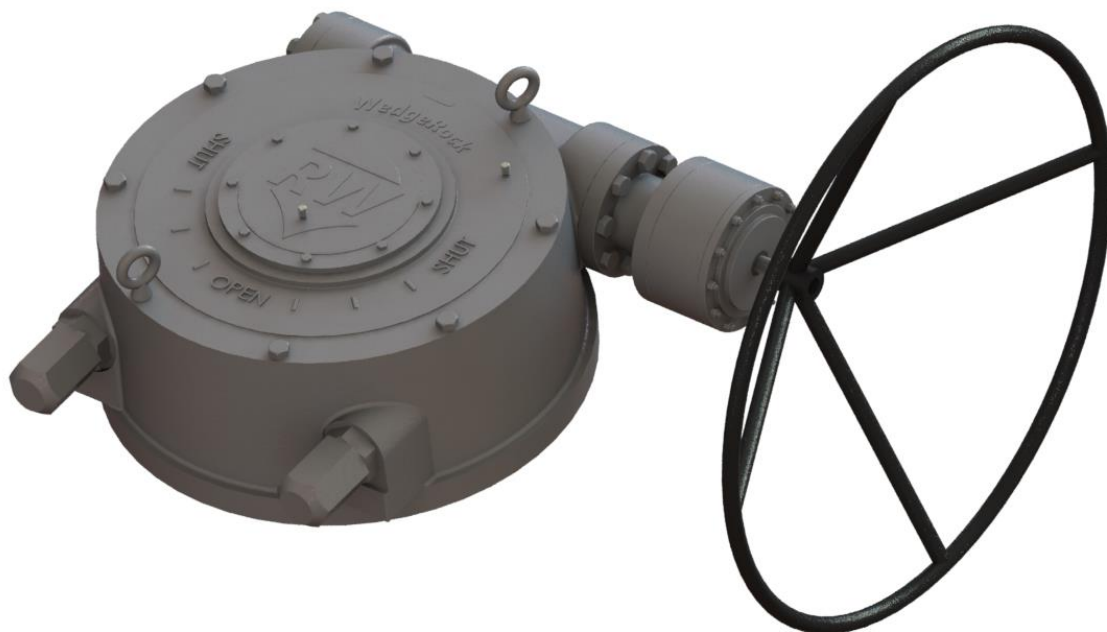


WedgeRock RW

The Rock Worm Gear (RW) Solutions

Features

- Modular design accommodates multiple applications
 - Quarter Turn
 - Multi-turn
 - Rising stem
- Input shaft projection parallel or perpendicular to output
- High efficiency and standard efficiency options
- All available ratios are self-locking
- Motorized and manual input options
- Splined drive sleeve available
- Travel indication
- Elastomer seals at all ingress points
- Available for subsea applications
- Application engineered



Purpose Engineered - Quality Manufactured - Performance Tested

WedgeRock RW Series Worm Gear

Imperial

Model	Torque Rating	Gear Ratio	Mechanical Advantage	Max Bore	Max Key Width W/ Bore	Max Key Height W/Bore	Max Standard Flange	Min Standard Flange	RPR Model
	[In-Lbs]		+/- 10%	[In]	[In]	[In]			
RW2	5,000	49	22	1.75	0.38	0.38	FA12	FA07	n/a
		12.3	8						n/a
RW4	10,000	49	22	1.75	0.38	0.38	FA14	FA07	n/a
		12.3	8						n/a
RW6	24,000	91	30	2.38	0.63	0.63	FA16	FA12	n/a
		22.8	15						RPR4
RW8	38,000	91	30	3.25	0.75	0.75	FA25	FA14	RPR4
		22.8	15						RPR4
RW10	75,000	91	30	3.75	0.75	0.75	FA30	FA16	RPR4
		22.8	15						RPR5
RW12	135,000	91	30	4.75	1.25	1.25	FA35	FA19	RPR5
		22.8	15						RPR5
RW14	225,000	91	30	6.75	1.75	1.50	FA40	FA25	RPR5
		22.8	15						RPR6
RW18	400,000	91	30	7.50	2.50	1.75	FA48	FA30	RPR6
		22.8	15						RPR7
RW22	750,000	91	30	9.00	2.50	1.75	FA60	FA35	RPR7
		22.8	15						RPR8
RW30	1,350,000	119	42	11.00	2.50	1.75	30" BCD	FA40	RPR8
		29.8	19						RPR8
RW36	2,250,000	133	43	14.00	2.50	1.75	AS REQUIRED		RPR8
		33.3	21						RPR9
RW40	4,000,000	169	59	16.00	2.50	1.75	AS REQUIRED		RPR8
		42.3	28						RPR9



WedgeRock RW Series Worm Gear

Metric

Model	Torque Rating	Gear Ratio	Mechanical Advantage	Max Bore	Max Key Width W/ Bore	Max Key Height W/Bore	Max Standard Flange	Min Standard Flange	RPR Model
	[Nm]		+/- 10%	[mm]	[mm]	[mm]			
RW2	565	49	22	44	10	10	F12	F07	n/a
		12.3	8						n/a
RW4	1,130	49	22	44	10	10	F14	F07	n/a
		12.3	8						n/a
RW6	2,712	91	30	60	16	16	F16	F12	n/a
		22.8	15						RPR4
RW8	4,293	91	30	83	19	19	F25	F14	RPR4
		22.8	15						RPR4
RW10	8,474	91	30	95	19	19	F30	F16	RPR4
		22.8	15						RPR5
RW12	15,253	91	30	121	32	32	F35	F19	RPR5
		22.8	15						RPR5
RW14	25,422	91	30	171	44	38	F40	F25	RPR5
		22.8	15						RPR6
RW18	45,194	91	30	191	64	44	F48	F30	RPR6
		22.8	15						RPR7
RW22	84,739	91	30	229	64	44	F60	F35	RPR7
		22.8	15						RPR8
RW30	152,529	119	42	279	64	44	760mm BCD	F40	RPR8
		29.8	19						RPR8
RW36	254,216	133	43	356	64	44	AS REQUIRED		RPR8
		33.3	21						RPR9
RW40	451,939	169	59	406	64	44	AS REQUIRED		RPR8
		42.3	28						RPR9

WedgeRock RPR Series Planetary Reduction Gear

Planetary gear for direct mount on RW, or RB gear operators

RPR4	Ratio	3.0	4.2	6.3							
	M.A. +/- 10%	2.9	4.0	6.0							
RPR5	Ratio	3.0	4.2	6.3							
	M.A. +/- 10%	2.9	4.0	6.0							
RPR6	Ratio	3.0	4.2	6.3	9.0						
	M.A. +/- 10%	2.9	4.0	6.0	8.6						
RPR7	Ratio	3.0	4.3	6.0	7.7	11.0	18.0				
	M.A. +/- 10%	2.9	4.1	5.7	7.3	10.5	16.2				
RPR8	Ratio	3.0	4.3	6.0	7.7	11.0	18.0	26.0	36.0		
	M.A. +/- 10%	2.9	4.1	5.7	7.3	10.5	16.2	23.5	32.5		
RPR9	Ratio	3.0	4.3	6.0	7.7	11.0	18.0	26.0	36.0	46.0	66.0
	M.A. +/- 10%	2.9	4.1	5.7	7.3	10.5	16.2	23.5	32.5	41.5	59.6

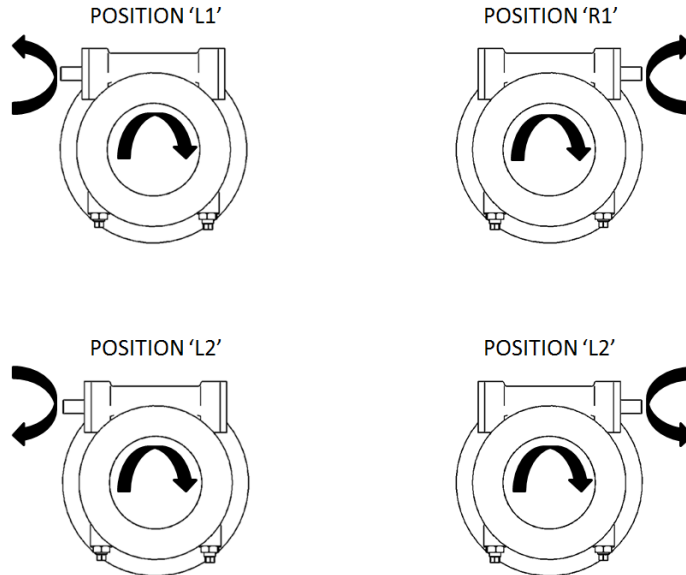
WedgeRock R1B & R3B Series Bevel Gear

Bevel gear for direct mount on RW gear operators

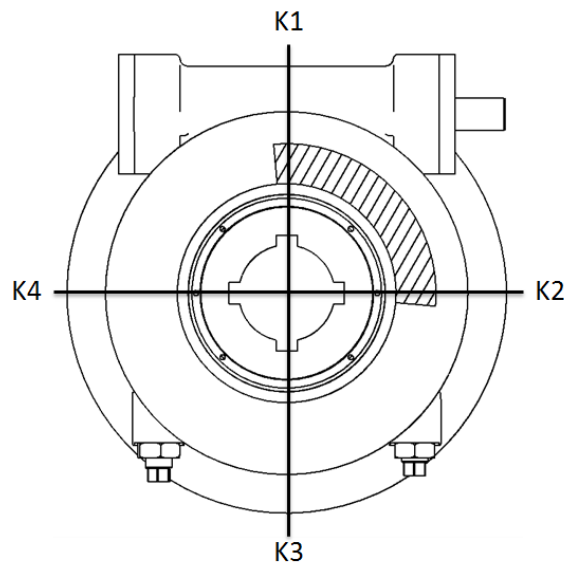
Bevel Gear Model	Ratio	Mechanical Advantage
		+/- 10%
R1B	1.0	.95
R3B	3.0	2.9

INPUT SHAFT PROJECTION

(L1 & R1 are standard)



KEYWAY POSITION

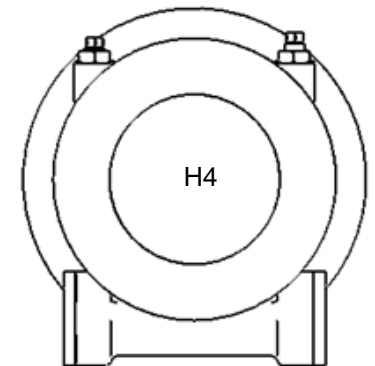
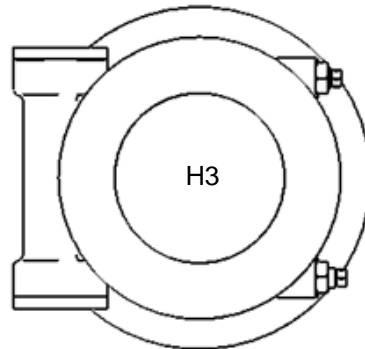
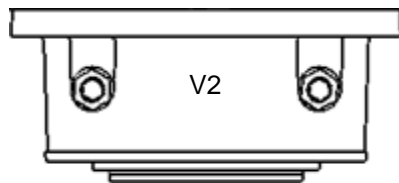
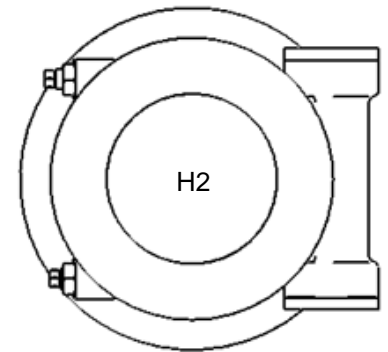
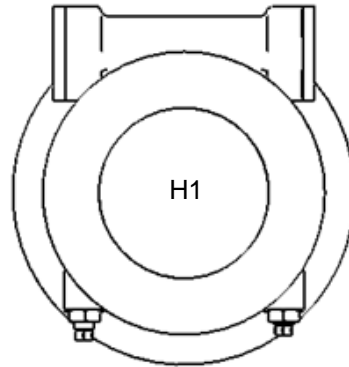
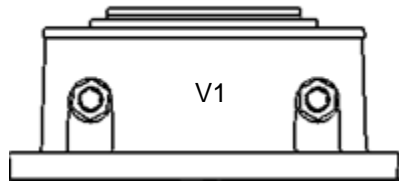


TOP VIEW WITH QUADRANT IN CLOSED POSITION



GEAR OPERATOR ORIENTATION

Gear operator orientation allows for proper vent configuration.



STANDARD GEARS INCLUDE:

- Ductile Iron Housings (Carbon Steel if fabricated).
- Standard Temperature Range: -40° to 225°F.
 - Seal: -40 to 225° F (BUNA)
 - Grease : -40 to 400°F long term exposure
- Machined for direct mount without adaption.
- Designed for Ingress Protection Rating: IP68
- Pressure relief valves in the housing and stem, relieves pressure build caused by temperature changes. (For effective venting Gear Orientation must be provided for proper relief valve positioning.)

ADDITIONAL OPTIONS AVAILABLE:

- Low Temp. -50°F
 - Seal: Low Temp. to -50°F (Nitrile)
 - Grease: Low Temp. to -50°F
 - Housing and Other Materials of Construction capable of -50°F
- High Temp. -15° to 400°F
 - Seal: -15 to 400°F (Viton)
 - Grease : -40 to 400°F long term exposure
- Risers and Adaptors
- Lockouts
- Arrestor Brackets (Supports the use of a Portable Torque Tool.)

ADDITIONAL CONFIGURATIONS AVAILABLE:

- Buy America Compliant
- AWWA Compliant (Standard and in 316 SS)
- Declutchable and Lost Motion Overrides
(For use with hydraulic and pneumatic actuators.)
- Configurable Sub Sea Compliant options

Options and Configurations are not limited to the above, please make request for special applications and specification requirements.