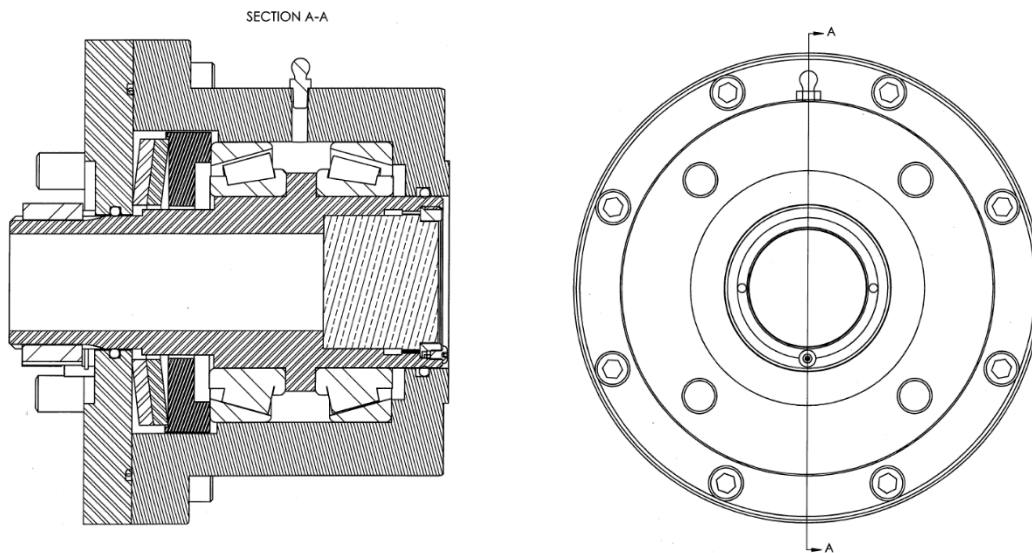


WedgeRock RTC

Temperature & Thrust Compensation

Features

- Sandwich design ideal for new projects or retrofits
- Proven Belleville spring design
- Unique “floating” thrust bearing stem nut cartridge
- High quality thrust bearings for robust performance
- Stem sizes to 10”+
- Growth to 0.250”+
- Single or double acting
- Extend valve life
- Reduce actuator/gear wear and damage
- Quick delivery
- Application engineered



Purpose Engineered, Quality Manufactured, Performance Tested